

### 产品亮点

#### 绿色环保

- ★电动电驱，绿色环保
- ★零排放，满足室内外排放要求严格的工地需求

#### 智能操控 省心省力

- ★比例手柄操控，更多动作电液比例控制，动作平顺精准，微动性更强
- ★标配IOT系统，搭配智能大屏，设备状态随时随地轻松掌控，轻松实现设备管理

#### 维修成本低

- ★对比柴油动力，电池保养成本低，降低整体运营成本

#### 安全可靠，场地通过性能强

- ★浮动桥配置，实时保障四轮着地，轻松应对凹凸不平路况，更安全更可靠
- ★最大5°工作角度，搭配浮动，可实现车身姿态调整



### 标准特征

液压调平工作平台	称重系统	倾斜保护系统
180°液压旋转平台	5寸彩色大屏幕	四轮刹车
后方检测和行驶确认	故障诊断系统	紧急制动解除
三手柄渐变比例控制	紧急停止系统	四轮驱动
喇叭和蜂鸣器安全警示	紧急下降系统	泡沫轮胎
报警灯安全警示	最大允许5°工作倾角	脚踏开关

### 选配特征

工作平台旋转门	极寒区域用液压油	GPS远程监控系统
工作平台备用栏杆	极寒区域用管线	
液压油冷却器	AC动力源	

美通重工有限公司

Mantall Heavy Industry CO.,LTD



4006178066



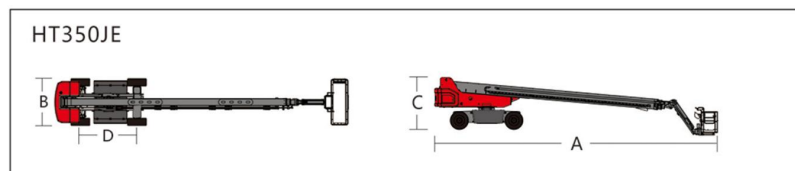
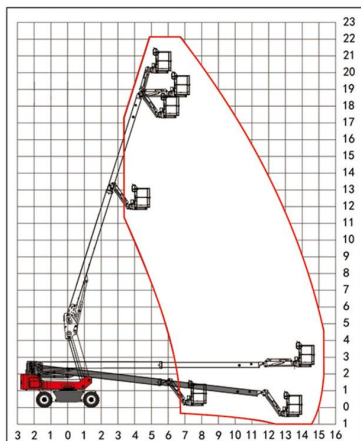
中国江苏省启东市高新技术产业开发区滨海大道62号

# HT SERIES

## HT350JE

### SELF-PROPELLED TELESCOPIC BOOMS

Model	HT350JE	
Dimension	Metric	Imperial
Max. Working Height	34.3m	112ft 6in
Max. Platform Height	32.3m	105ft 12in
Max. Outreach	17.4m	57ft 1in
Maximum horizontal work amplitude	18m	59ft 1in
A Length (stowed)	15.6m	51ft 2in
B Width (stowed)	2.49m	8ft 2in
C Height (stowed)	2.865m	9ft 5in
D Wheelbase	3.0m	9ft 10in
Ground Clearance	0.33m	1ft 1in
Platform Size ((L×W×H)	2.4m*0.9m*1.1m	8ft×2ft11in×3ft7in
Performance		
Lift Capacity (Restricted/Unrestricted)	454/300kg	999/661lb
Max. Load number (Restricted/Unrestricted)	3 pers/2 pers	3 pers/2 pers
Drive Speed (Stowed)	5km/h	3.1mph
Drive Speed (Raised)	1.1km/h	0.7mph
Gradeability (4WD)	40%	40%
Turntable Rotation (Angle/Continuity)	360°continuous	360°continuous
Platform Rotation	180 °	180 °
Max. Tilt Angle(Front to Back/ Side to Side)	5°	5°
Turing Radius (Inside/Outside)	3.6/6.88m	11ft10in/22ft7in
Turntable Tailswing	1.55m	5ft 1in
Max. Lateral Force (Restricted/Unrestricted)	400N	89.92 lbf
Max. Wind Speed	12.5m/s	41ft/s
Tire Specification/ Type	385/45-28(foam filled tire)	385/45-28(foam filled tire)
Power		
Drive wheels number x Steering wheels number	4×2	4×2
Hydraulic Tank Capacity	200L	52.8gal
Battery Specifications	80V460AH (Lithium battery)	80V460AH (Lithium battery)
Charger (Input Voltage/Output Current)	100-240V AC/80A	100-240V AC/80A
Weight		
Total Weight	19500kg	42990lb



The images in this manual are for illustration only, and all copyrights belong to our company. Due to continuous technological updates, product parameters may change without prior notice.



Mantell HT350JE



WARNING

