

产品亮点

高效节能

- ★全系采用液压负载敏感系统，按需功能，
- ★节能高效，系统发热低，寿命长

智能控制

- ★比例手柄操控，更多动作电液比例操控，动作平顺，微动性更强
- ★标配IOT系统，搭配智能大屏，设备状态随时随地轻松掌控，轻松实现设备管理

安全可靠

- ★全系标配最大5度工作角度，作业范围适应性更强，作业场地适应性更强
- ★配置浮动桥，实时保障四轮着地，轻松应对凹凸不平路况，更安全更可靠



标准特征

自动调平工作平台	喇叭	应急泵
液压旋转工作平台	计时器	CAN总线智能控制
可锁式平台控制盒	倾斜警报	超载限制（CE标准）
霍尔效应全比例控制手柄	转台360°连续旋转	发动机防再启动保护
行驶确认	全时正牵引驱动	自动发动机故障熄火
AC电源线接至工作平台	双速行驶马达	旋出式发动机托盘

选配特征

工作平台旋转门	警报套件
液压油冷却器	工作平台工作灯
极寒区域用液压油	AC动力源
极寒区域用管线	预热器
恶劣环境套件	交流电发电机组
工具托盘	空气预滤器

美通重工有限公司

Mantall Heavy Industry CO.,LTD



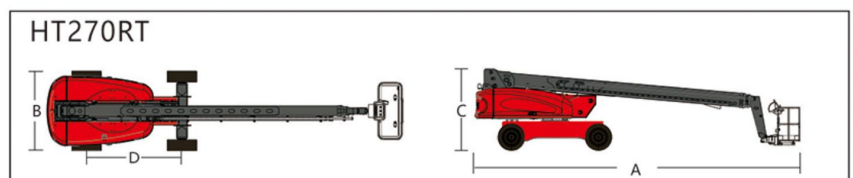
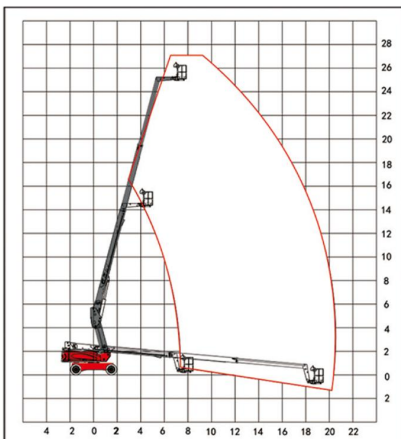
4006178066



中国江苏省启东市高新技术产业开发区滨海大道62号

HT SERIES HT270RT SELF-PROPELLED TELESCOPIC BOOMS

Model	HT270RT	
Dimension	Metric	Imperial
Max. Working Height	27m	88ft 7in
Max. Platform Height	25m	82ft 0in
Max. Outreach	19.4m	63ft 8in
Maximum horizontal work amplitude	20m	65ft 7in
A Length (stowed)	11.168m	36ft 8in
B Width (stowed)	2.5m	8ft 2in
C Height (stowed)	2.8m	9ft 2in
D Wheelbase	3.0m	9ft 10in
Ground Clearance	0.44m	1ft 5in
Platform Size ((L×W×H)	2.44m*0.9m*1.1m	8ft×2ft11in×3ft7in
Performance		
Lift Capacity	300kg	661lb
Max. Load number	3 pers/2 pers	3 pers/2 pers
Drive Speed (Stowed)	5.1km/h	3.2 mph
Drive Speed (Raised)	1.1km/h	0.7 mph
Gradeability (4WD)	45%	45%
Turntable Rotation (Angle/Continuity)	360°continuous	360°continuous
Platform Rotation	180°	180°
Max. Tilt Angle(Front to Back/ Side to Side)	5°/3°	5°/3°
Turing Radius (Inside/Outside)	3.6/6.88m	11.8ft/22.6ft
Turntable Tailswing	1.5m	4ft 11in
Max. Lateral Force (Restricted/Unrestricted)	400N	90.0lbf
Max. Wind Speed	12.5m/s	27.96mph
Tire Specification/ Type	365/14-20;rubber solid tire	365/14-20;rubber solid tire
Power		
Drive wheels number x Steering wheels number	4×2	4×2
Engine (power/speed/specification/brand)	"Deutz TD2.9L4, 55.4KW Euro V Wechai WP2.3NG75E441, 55.4kw State IV"	"Deutz TD2.9L4, 55.4KW Euro V Wechai WP2.3NG75E441, 55.4kw State IV"
Hydraulic Tank Capacity	180L	47.6 gal
Diesel Fuel Tank Capacity	130L	34.3 gal
Weight		
Total Weight	16100kg	35494 lb



The images in this manual are for illustration only, and all copyrights belong to our company.
Due to continuous technological updates, product parameters may change without prior notice.

